

THIS DRAWING IS UNPUBLISHED. RELEASED FOR PUBLICATION 1825006, 1825006
 © COPYRIGHT 1825006y - ALL RIGHTS RESERVED.

| Loc | | DIST | | REVISIONS | | | |
|-----|----|------|-----|---------------------------|---------|-----|------|
| AD | 00 | P | LTR | DESCRIPTION | DATE | DWN | APVD |
| | | P | | REVISED PER ECO-11-004820 | 11MAR11 | RK | HMR |

SPECIFICATIONS:

MATERIALS:

CASE-PPS, UL94V0-BLACK
 COVER-PPS, UL94V0-BLACK
 ACTUATOR-LCP, UL94V0-WHITE
 CONTACTS AND TERMINALS-COPPER ALLOY, GOLD OVER NICKEL
 TAPE SEAL-POLYIMIDE FILM

ELECTRICAL:

CONTACT RATING: NON-SWITCHING: 100mA @ 50VDC
 SWITCHING: 25mA 24VDC
 INITIAL CONTACT RESISTANCE: 100 MILLIOHMS MAX. @ 2VDC, 10mA
 INSULATION RESISTANCE: 100 MEGOHMS MIN. @ 100VDC
 DIELECTRIC STRENGTH: 300VAC FOR 1 MINUTE
 LIFE EXPECTANCY: 1000 CYCLES

MECHANICAL:

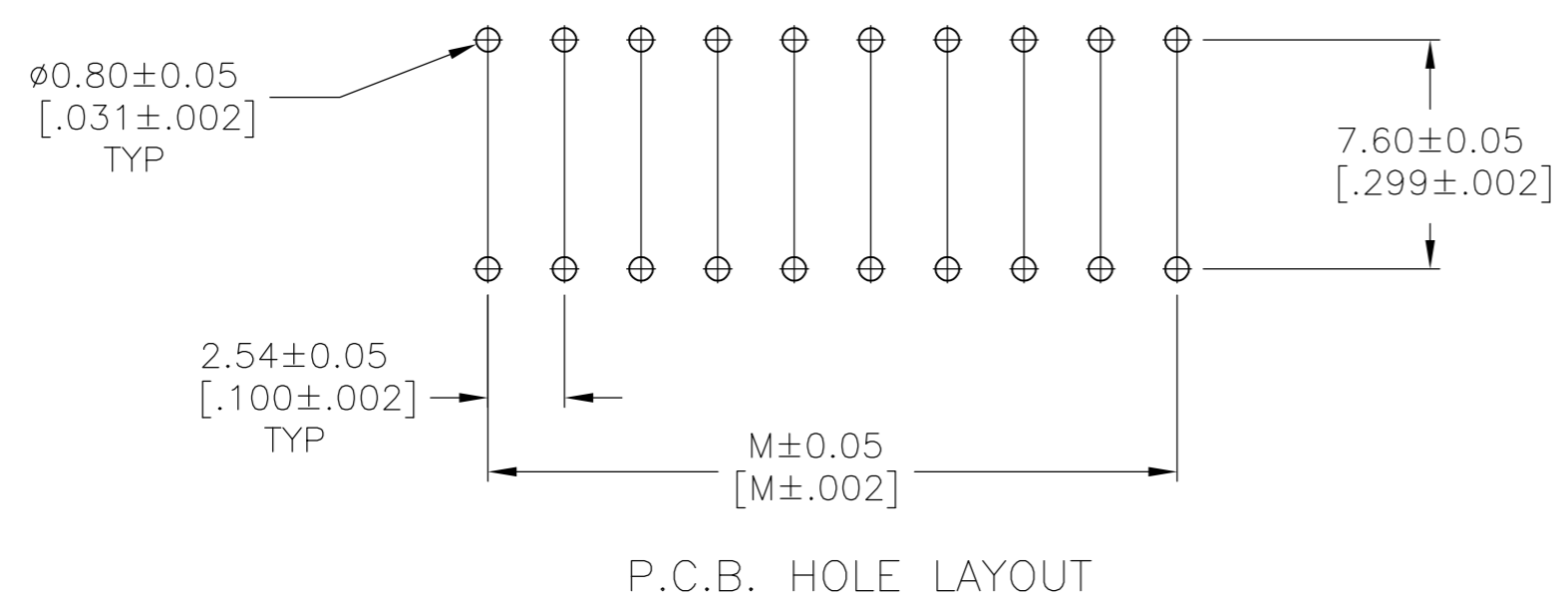
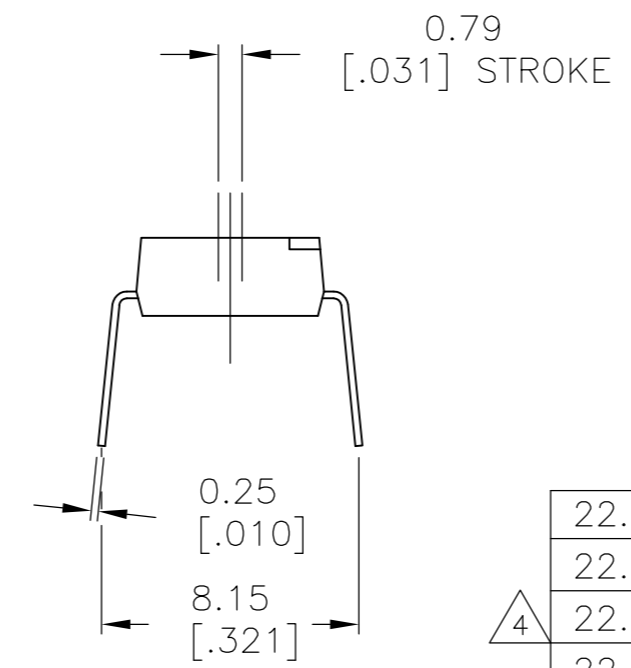
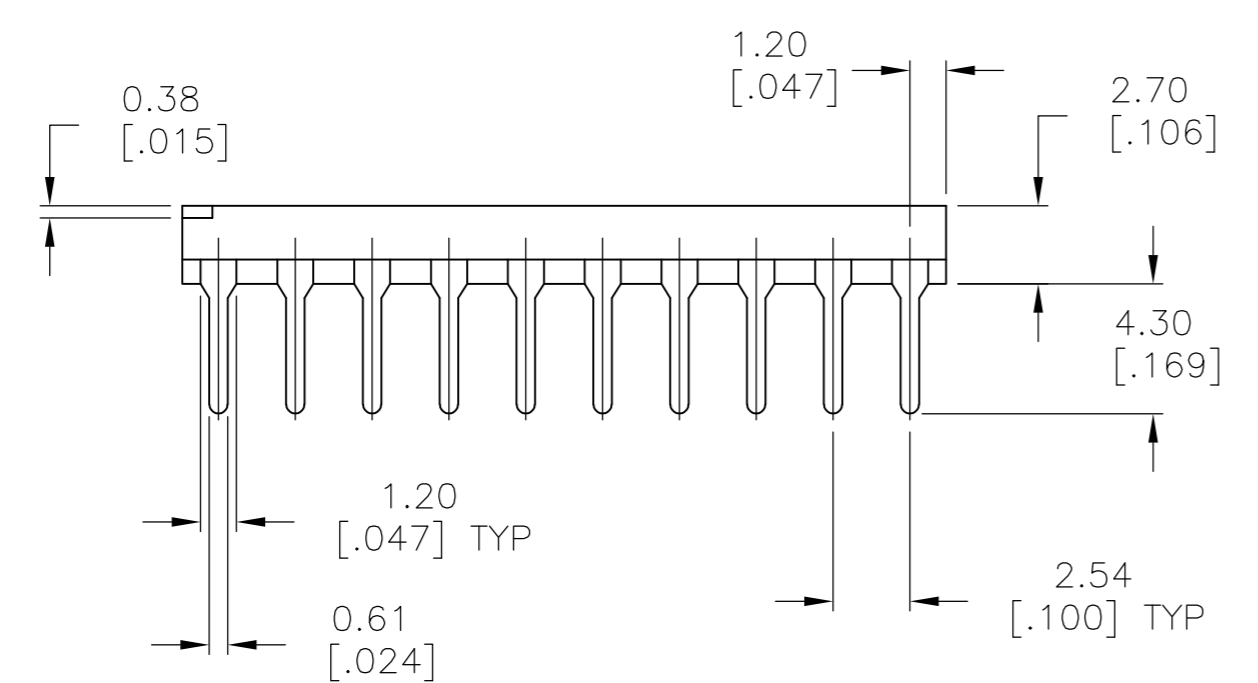
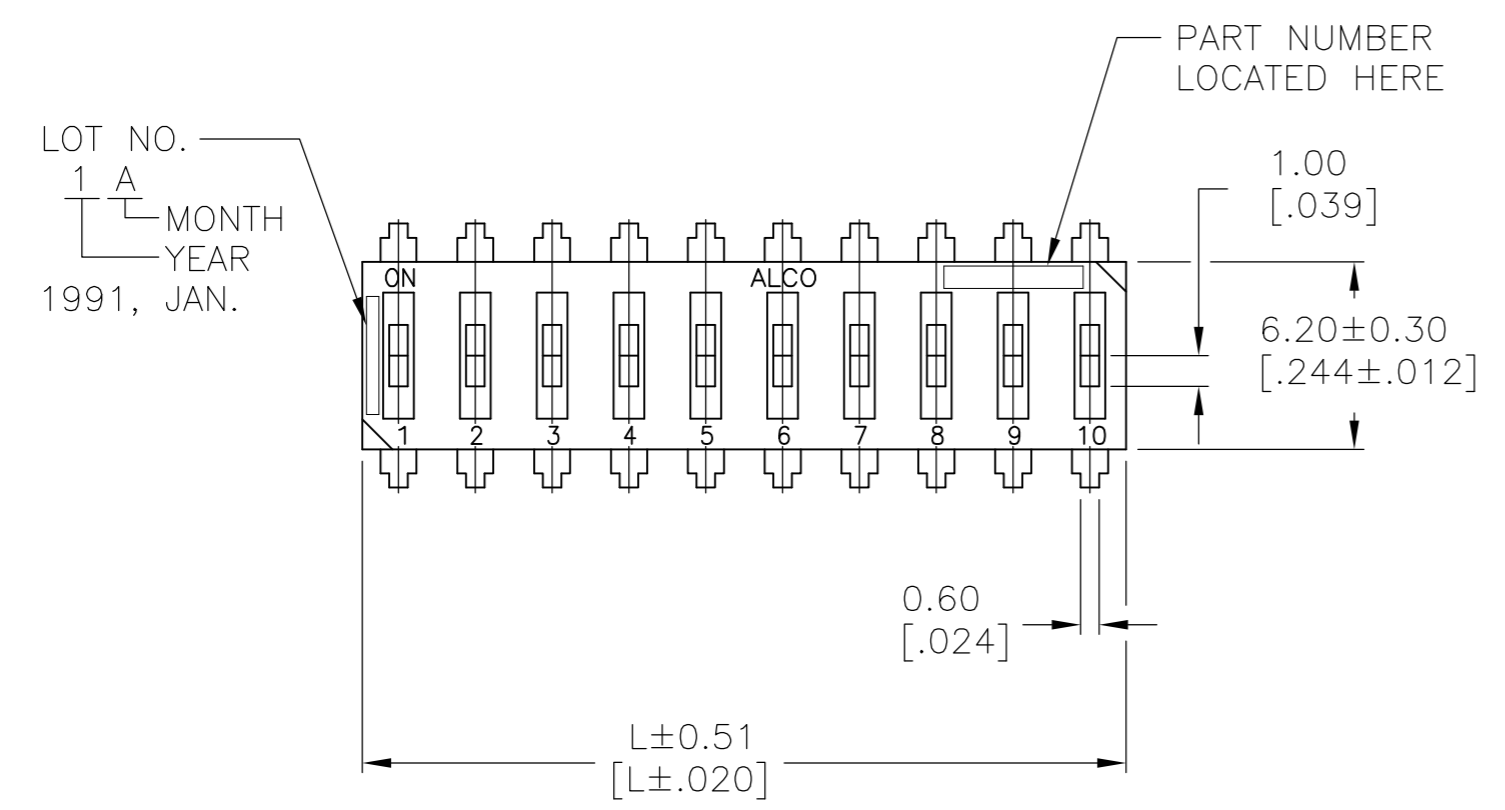
ACTUATION FORCE: 60-600 GRAMS

ENVIRONMENTAL:

OPERATING TEMPERATURE: -45°C TO +100°C
 STORAGE TEMPERATURE: -45°C TO +100 °C
 SOLDER HEAT RESISTANCE PER 109-202, CONDITION B (THRU-HOLE) OR 109-201, CONDITION B (SMT)
 SOLDERABILITY PER JIS C 0500 & JIS C 0053

NOTES:

- TAPE AND REEL PACKAGING PER EIA 481 - PART NO.S GDSXXSTR.
- ALL MATERIALS AND FINISHES SHALL COMPLY WITH EU DIRECTIVE 2002/95/EC OF 27JAN2003 (ROHS)
- SEE SHEET 2 FOR SURFACE MOUNTING DETAILS.
- OBsolete PARTS: OBsolete CIS STREAMLINING PER D.RENAUD/D.SINISI



| | | | | | | | |
|---|-------------|-------------|------|-----|------|-------------|-------------|
| | 22.86[.900] | 25.25[.994] | TAPE | SMT | 10 | GDS10STR04 | 2-1825006-0 |
| | 22.86[.900] | 25.25[.994] | TAPE | SMT | 10 | GDS10S04 | 1-1825006-9 |
| 4 | 22.86[.900] | 25.25[.994] | NONE | T/H | 10 | GDS10NTS04 | 1-1825006-8 |
| | 22.86[.900] | 25.25[.994] | TAPE | T/H | 10 | GDS1004 | 1-1825006-7 |
| | 17.78[.700] | 20.17[.794] | TAPE | SMT | 8 | GDS08STR04 | 1-1825006-6 |
| | 17.78[.700] | 20.17[.794] | TAPE | SMT | 8 | GDS08S04 | 1-1825006-5 |
| 4 | 17.78[.700] | 20.17[.794] | NONE | T/H | 8 | GDS08NTS04 | 1-1825006-4 |
| | 17.78[.700] | 20.17[.794] | TAPE | T/H | 8 | GDS0804 | 1-1825006-3 |
| | 12.7[.500] | 15.09[.594] | TAPE | SMT | 6 | GDS06STR04 | 1-1825006-2 |
| | 12.7[.500] | 15.09[.594] | TAPE | SMT | 6 | GDS06S04 | 1-1825006-1 |
| 4 | 12.7[.500] | 15.09[.594] | NONE | T/H | 6 | GDS06NTS04 | 1-1825006-0 |
| | 12.7[.500] | 15.09[.594] | TAPE | T/H | 6 | GDS0604 | 1825006-9 |
| | 7.62[.300] | 10.01[.394] | TAPE | SMT | 4 | GDS04STR04 | 1825006-8 |
| | 7.62[.300] | 10.01[.394] | TAPE | SMT | 4 | GDS04S04 | 1825006-7 |
| 4 | 7.62[.300] | 10.01[.394] | NONE | T/H | 4 | GDS04NTS04 | 1825006-6 |
| | 7.62[.300] | 10.01[.394] | TAPE | T/H | 4 | GDS0404 | 1825006-5 |
| | 2.54[.100] | 4.93[.194] | TAPE | SMT | 2 | GDS02STR04 | 1825006-4 |
| | 2.54[.100] | 4.93[.194] | TAPE | SMT | 2 | GDS02S04 | 1825006-3 |
| 4 | 2.54[.100] | 4.93[.194] | NONE | T/H | 2 | GDS02NTS04 | 1825006-2 |
| | 2.54[.100] | 4.93[.194] | TAPE | T/H | 2 | GDS0204 | 1825006-1 |
| | DIM M | DIM L | SEAL | MTG | POLE | OLD T&B P/N | PART NO |

THIS DRAWING IS A CONTROLLED DOCUMENT.

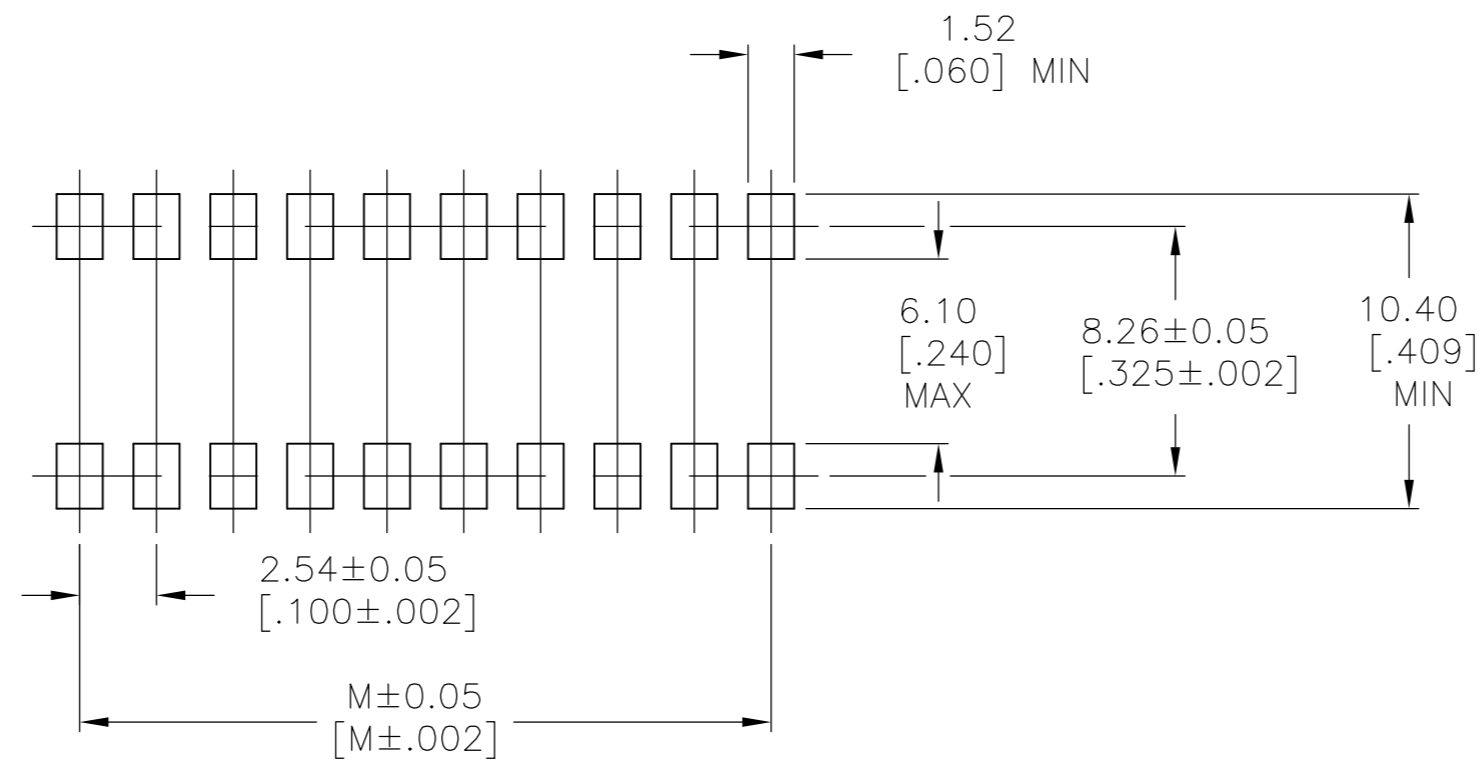
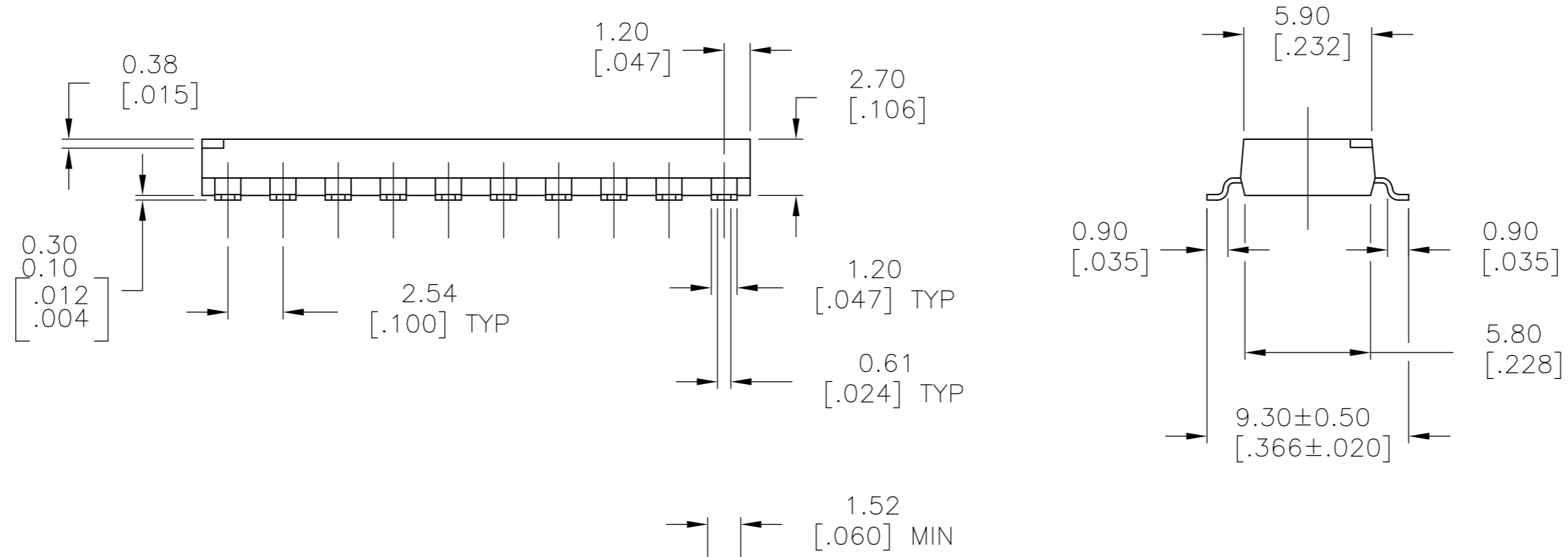
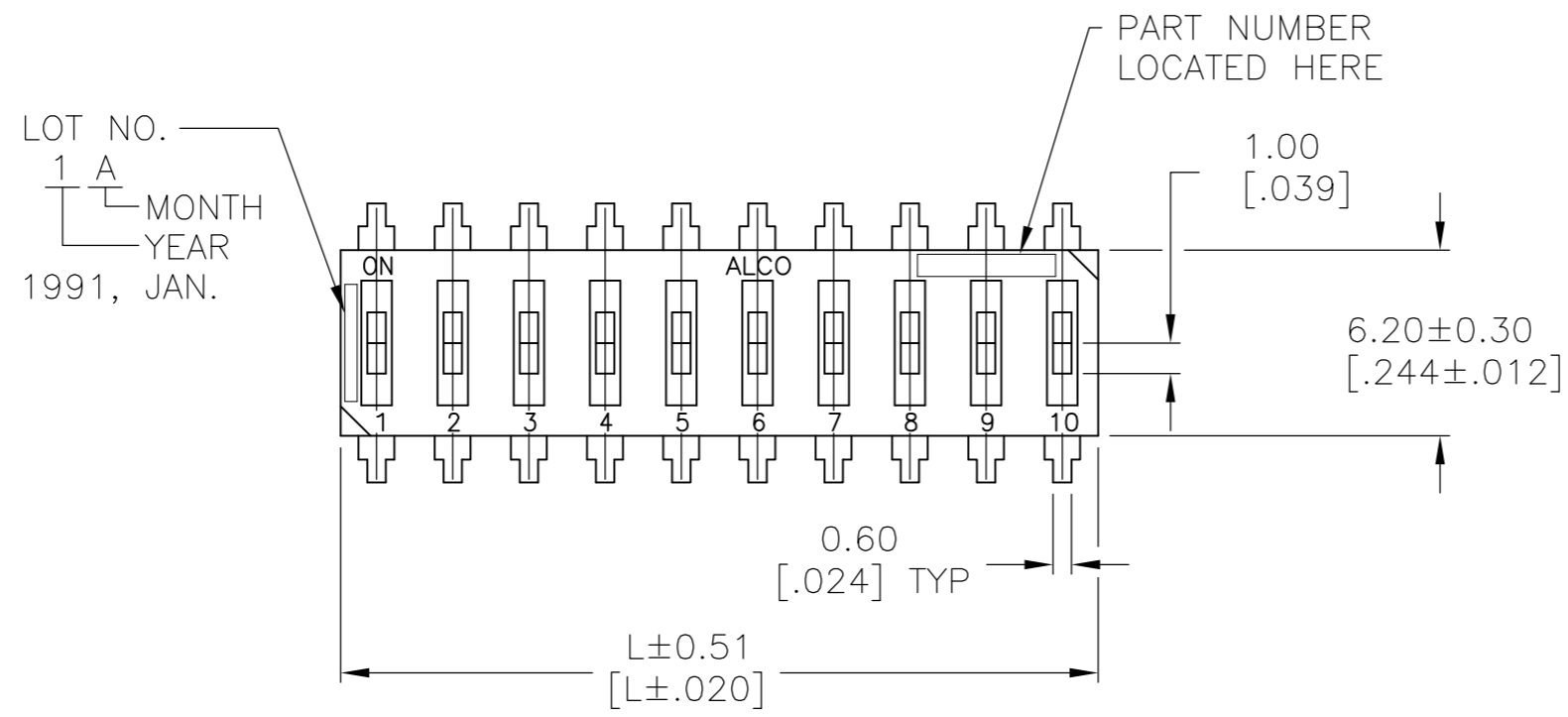
| | | |
|------------------|----------------|--------------|
| DWN | B.S.VISWESWARA | 03MAR05 |
| CHK | M.S.SARVER | - |
| APVD | M.S.SARVER | - |
| PRODUCT SPEC | - | - |
| APPLICATION SPEC | - | - |
| WEIGHT | - | - |
| CUSTOMER DRAWING | SCALE 4:1 | SHEET 1 OF 2 |

TE Connectivity
 DIP SWITCH ASSEMBLY
 GDS SERIES

SIZE A2 CAGE CODE 00779 DRAWING NO. 1825006 RESTRICTED TO -

THIS DRAWING IS UNPUBLISHED. RELEASED FOR PUBLICATION 1825006, 1825006
 © COPYRIGHT 1825006y - ALL RIGHTS RESERVED.

| LOC | DIST | REVISIONS | | | |
|-----|------|-------------|------|-----|------|
| P | LTR | DESCRIPTION | DATE | DWN | APVD |
| AD | 00 | - | - | - | - |
| | | SEE SHEET 1 | | | |



SURFACE MOUNT PAD LAYOUT

| | | | | |
|--|--|----------------------------|--------------------------------|-----------------|
| THIS DRAWING IS A CONTROLLED DOCUMENT. | | DWN B.S.VISWESWARA 03MAR05 | STE TE Connectivity | |
| DIMENSIONS: mm [INCHES] | | CHK M.S.SARVER | | |
| TOLERANCES UNLESS OTHERWISE SPECIFIED: | | APVD - | NAME | |
| 0 PLC ± - | | PRODUCT SPEC - | DIP SWITCH ASSEMBLY GDS SERIES | |
| 1 PLC ± - | | APPLICATION SPEC - | SIZE A2 | CAGE CODE 00779 |
| 2 PLC ± 0.25[.010] | | WEIGHT - | DRAWING NO C=1825006 | RESTRICTED TO - |
| 3 PLC ± - | | CUSTOMER DRAWING | SCALE 4:1 | SHEET 2 OF 2 |
| 4 PLC ± - | | | REV P | |
| ANGLES ± 1° | | | | |
| FINISH - | | | | |